

# BADU® Delta Eco VS

German built with unique mono block design for even quieter operation and energy savings.

## Field of application

Swimming pool water circulation through a filter system. The pump can be installed max. 3 m above or below water level.

## Design

Monoblock-type pump with integrated strainer tank. The bellow-type mechanical seal is mounted on a plastic shaft protector sleeve.

Motor/pump shaft has no contact with the pool water providing complete electrical separation.

Strainer tank capacity ..... approx. 4 l

Strainer basket mesh size ..... approx. 2.2 x 2.2 mm

Can be controlled with the BADU NetLink pump remote control. See page 136.

## Materials used

Pump casing .....	PP GF 30
Intermediate housing .....	PP GF 30
Gland housing .....	PP GF 30
Unions/glue sockets .....	ABS/PVC-U
Diffuser .....	PP GF 30
Impeller .....	PPE GF 30
Strainer basket .....	PP
Lid .....	PC, transparent/PA 66 GF 30
Mechanical seal .....	carbon/ceramic/NBR
Screws .....	stainless steel
Elastomers .....	NBR/Viton



Transparent lid with integrated LED lighting



Impeller fan and guard for reduced operating noise



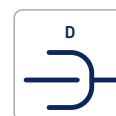
Technical data at 50/60 Hz	BADU	Delta Eco VS
Inlet Sa/outlet connection Da <sup>4)</sup>		63/63
Rec. inlet/outlet pipe, PVC pipe, d <sup>4)</sup>		63/63
Power input P <sub>1</sub> /output P <sub>2</sub> <sup>1)</sup> (kW)	1~ 230 V	0.03-1.40/0.01-1.10
Rated current (A)	1~ 230 V	0.50-6.10
Sound pressure level Lpa (1m) [dB(A)]		35.7-66.5

For more detailed information regarding the motor protection please see page 167.

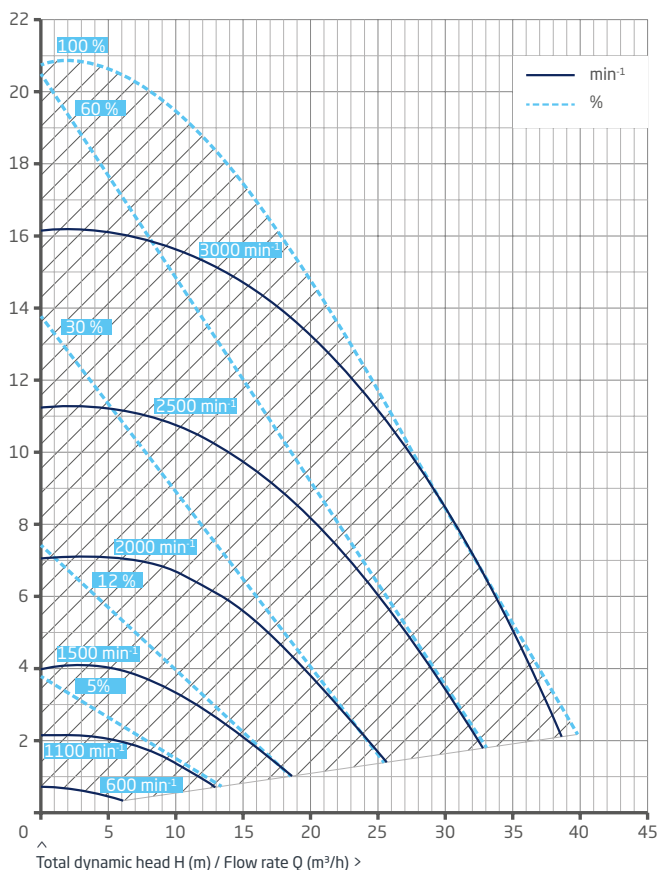
Technical data may vary.

Article no	Description	Voltage	Power output P <sub>2</sub>
210.3281.138	BADU Delta Eco VS	1~ 230 V	1.10 kW

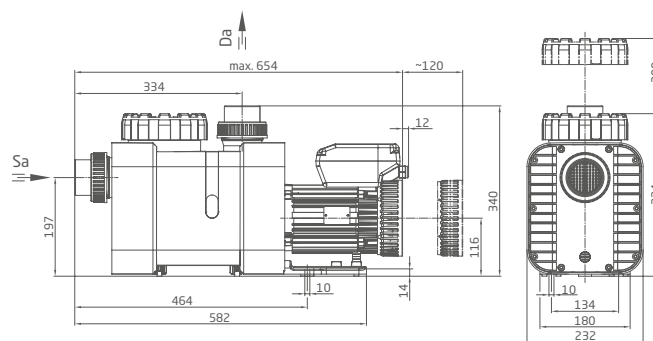
Universal opening device included in delivery. See page 156.



### Characteristics



### Dimensions



Detailed dimensions available on request or at badu.de



SALES & SERVICE 1300 280 323 | sales@speckpool.com.au | info@speckpool.com.au

**New South Wales Office**  
t (02) 8814 2800  
f (02) 9838 7030

**Victorian Office**  
t (03) 8794 3800  
f (03) 9702 3941

**Queensland Office**  
t (07) 3434 1100  
f (07) 3219 2266

**New Zealand Office**  
t 0011 64 9570 9570  
f 0015 64 9527 7641